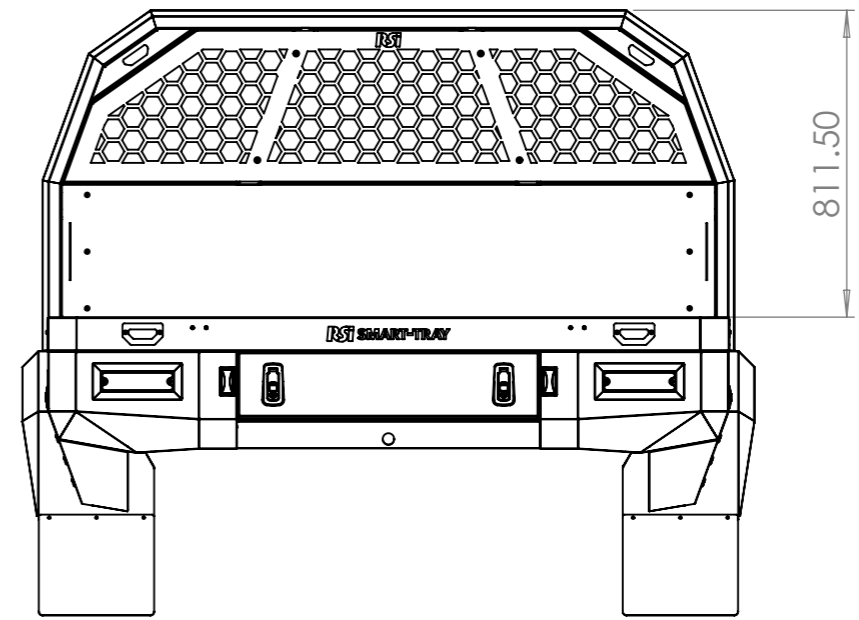
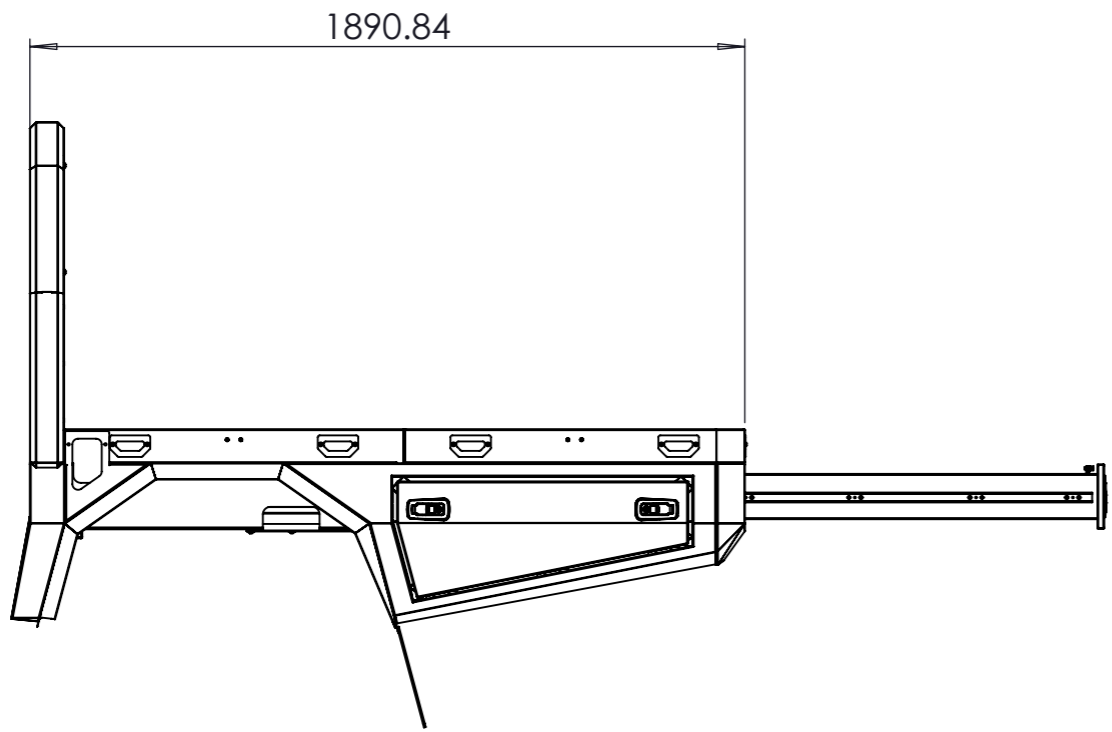
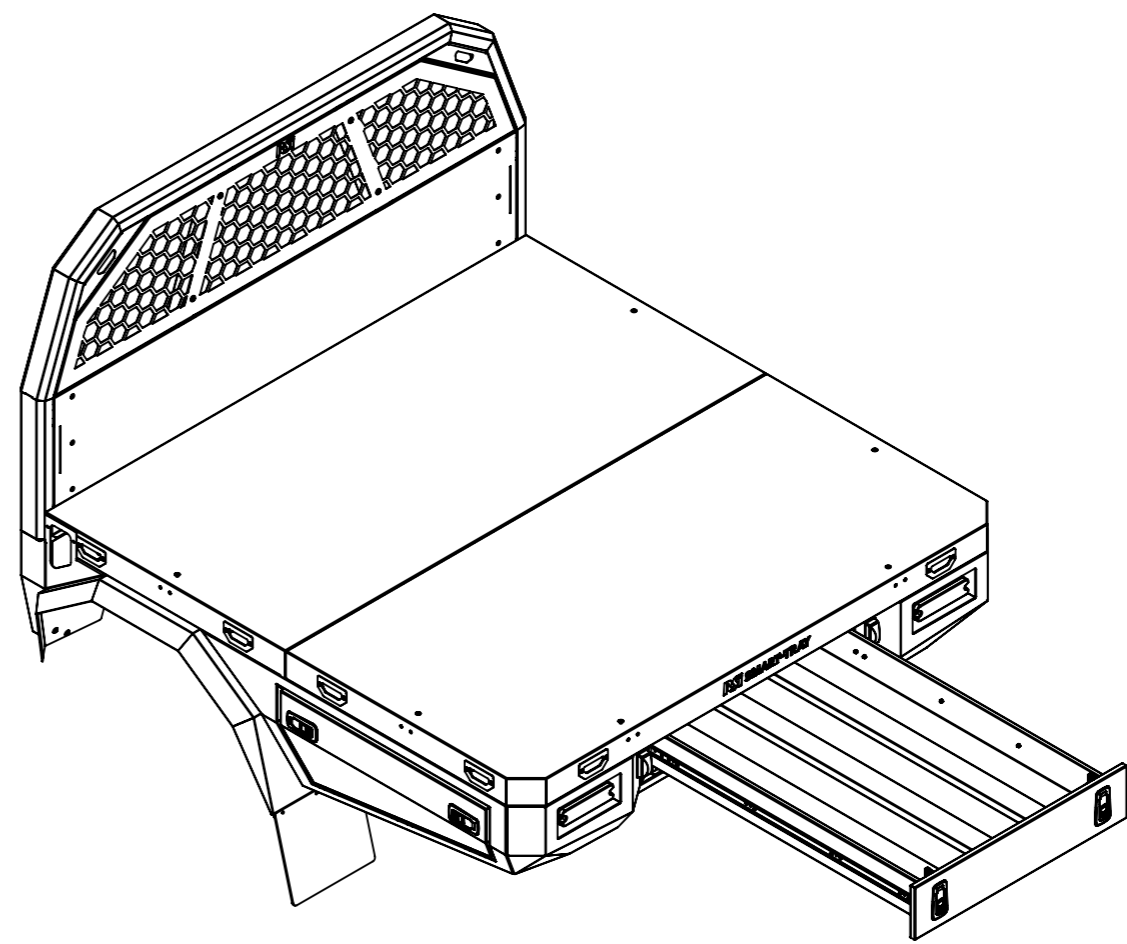
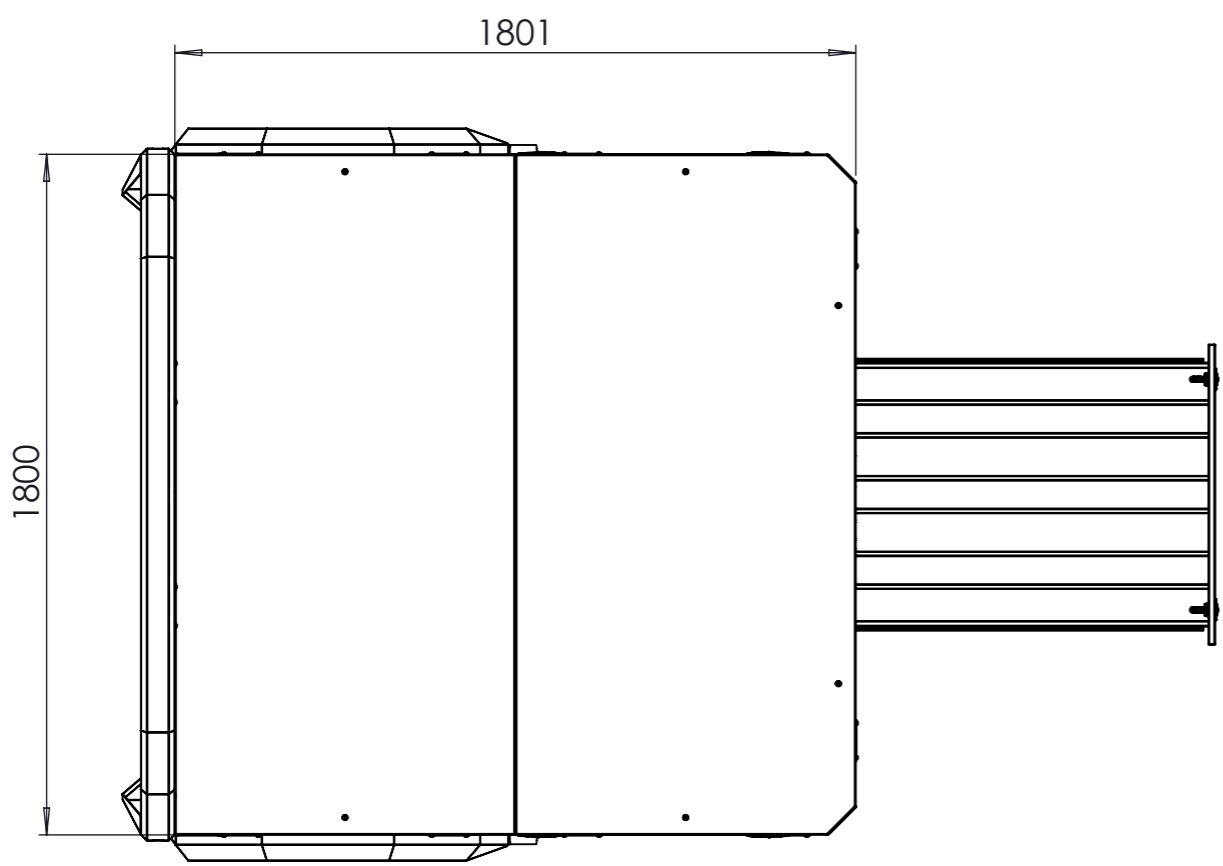



12 11 10 9 8 7 6 5 4 3 2 1

H
G
F
E
D
C
B
A



H
G
F
E
D
C
B
A

12 11 10 9 8 7 6 5 4 3 2 1

ROCK SOLID INDUSTRIES IS THE OWNER OF THIS/THESE DRAWING/S. IT MAY NOT BE COPIED, LOANED OR DISCLOSED TO OTHERS WITHOUT THE WRITTEN CONSENT OF RSI	Designed by M. DREYER	Checked by	Approved by	Approved Date	Creation Date 02/07/2019
	 12 SUZUKA ROAD WESTMEAD 4001 SOUTH AFRICA www.smartcanopy.co.za	PART NUMBER A184801002		Edition	Sheet SHEET 1 OF 1
	DESCRIPTION RSI SMART TRAY - DOUBLE CAB			Edition	Sheet SHEET 1 OF 1