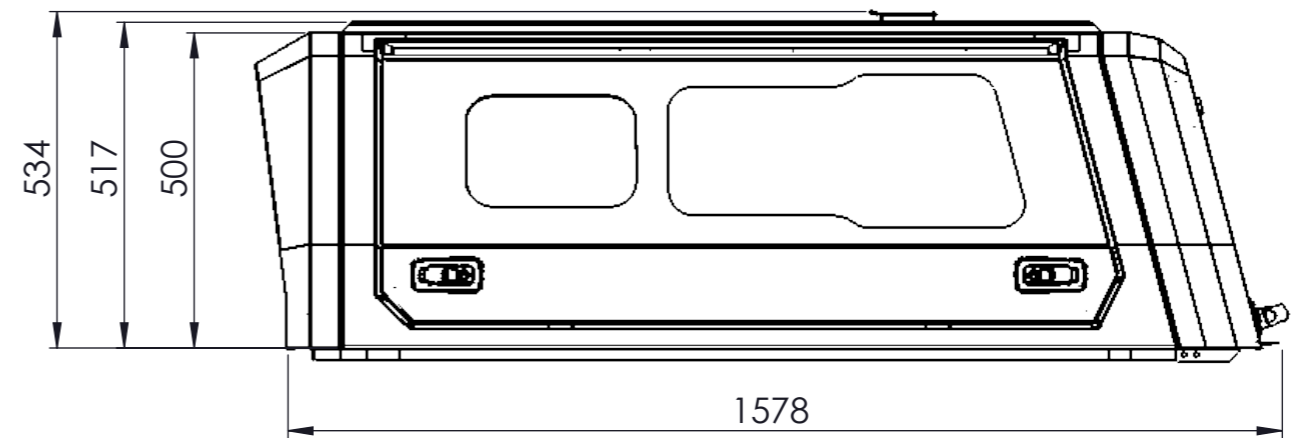
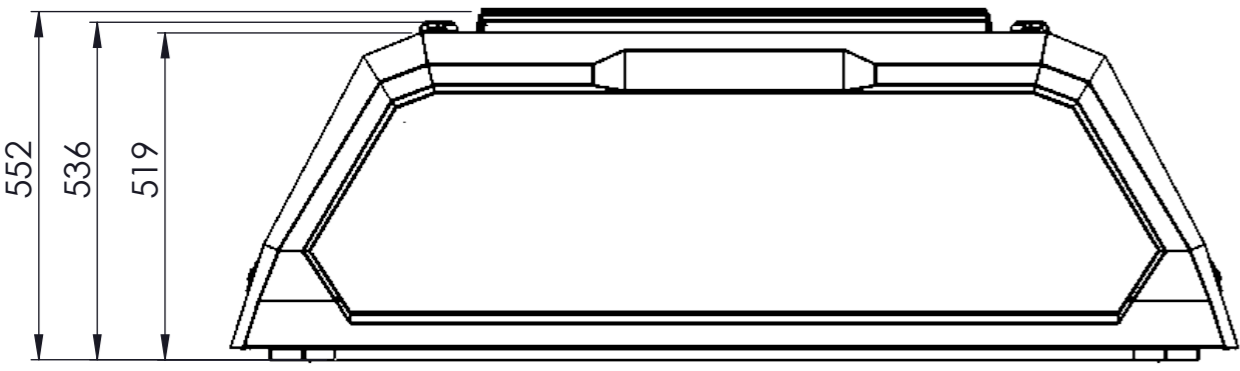
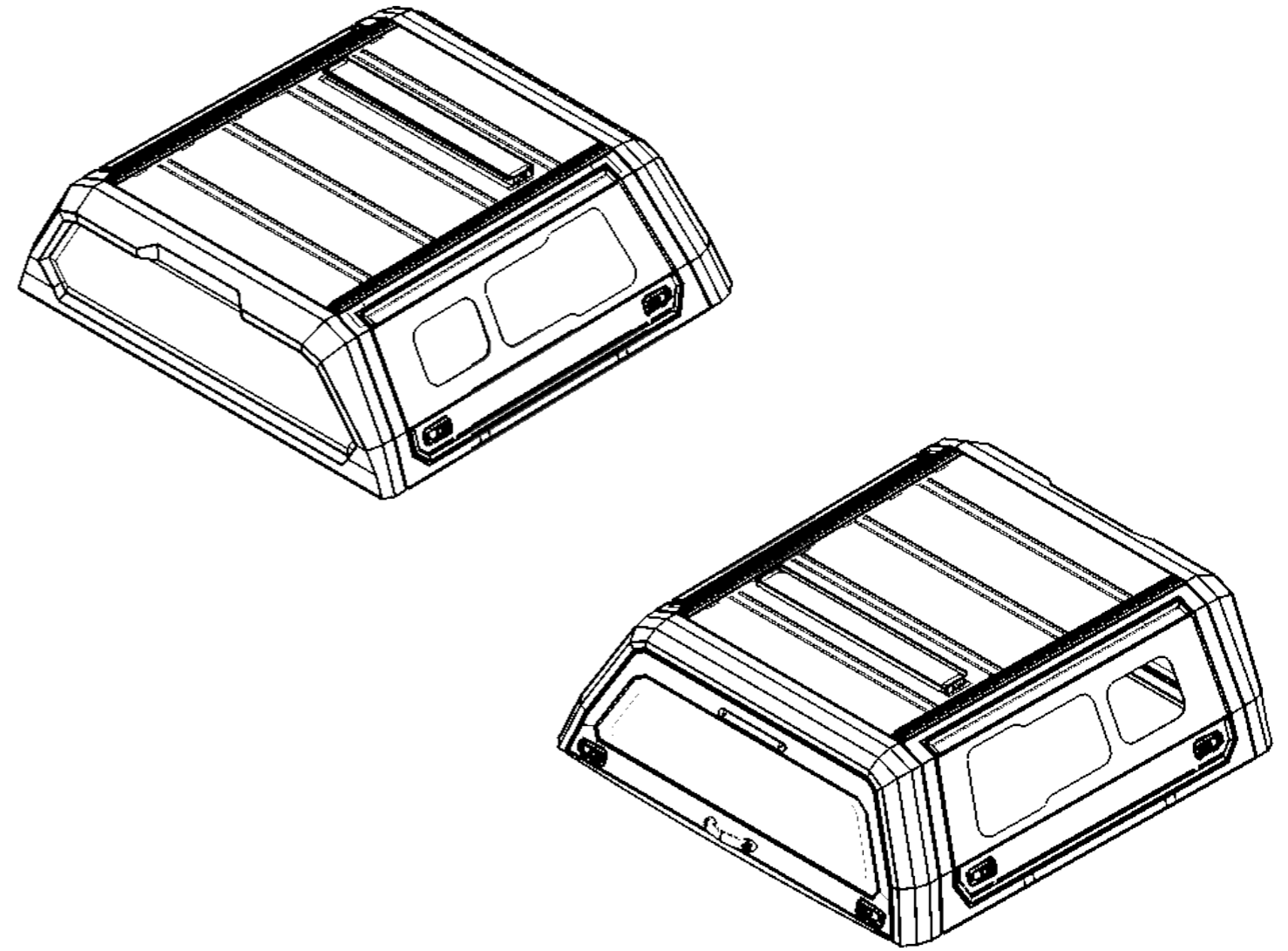
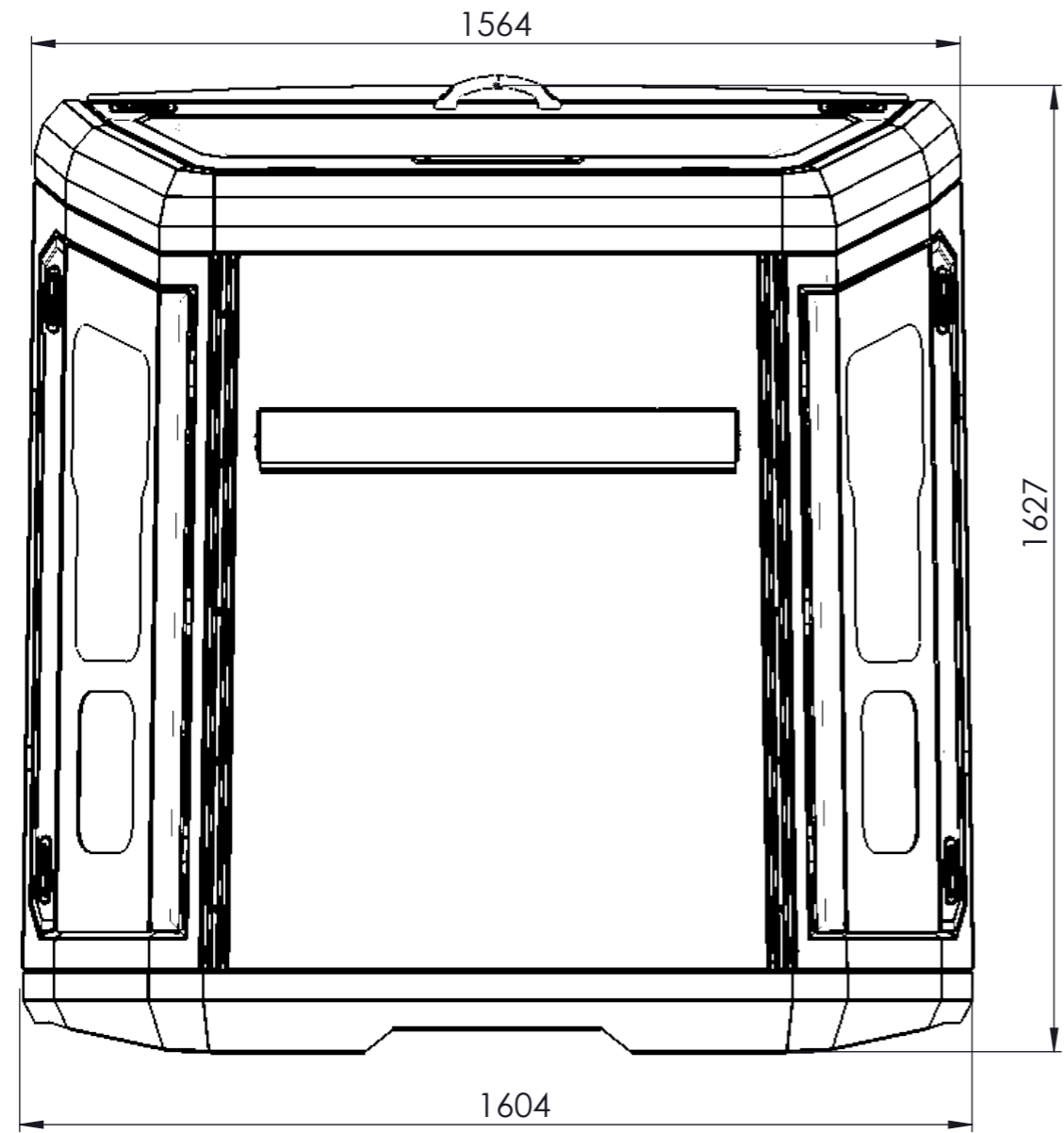


12 11 10 9 8 7 6 5 4 3 2 1

H
G
F
E
D
C
B
A



FORD RANGER DC EVO.

Material	Thickness (mm)	Mass (Kg)	Designed by Admin	Checked by	Approved by	Approved Date	Creation Date 2019/08/21	
ROCK SOLID INDUSTRIES IS THE OWNER OF THIS/THESE DRAWING/S. IT MAY NOT BE COPIED, LOANED OR DISCLOSED TO OTHERS WITHOUT THE WRITTEN CONSENT OF RSI		 12 SUZUKA ROAD WESTMEAD 4001 SOUTH AFRICA www.rocksolidindustries.co.za	DESCRIPTION FORD EVO DC				Revision	Sheet
			PART NUMBER			SHEET 1 OF 1		

12 11 10 9 8 7 6 5 4 3 2 1