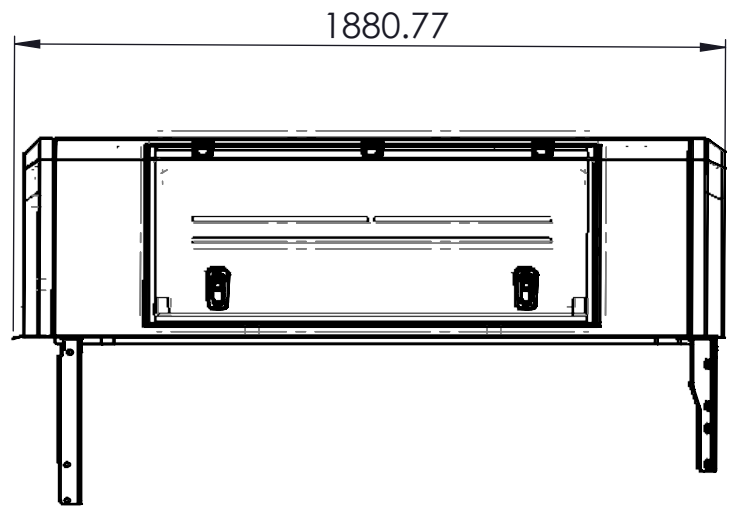
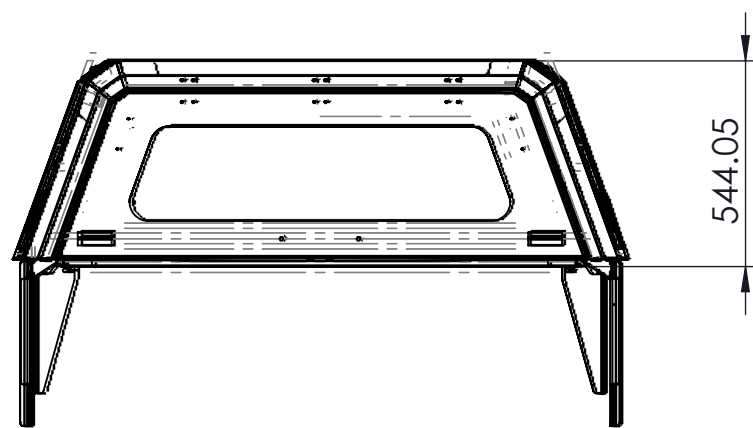
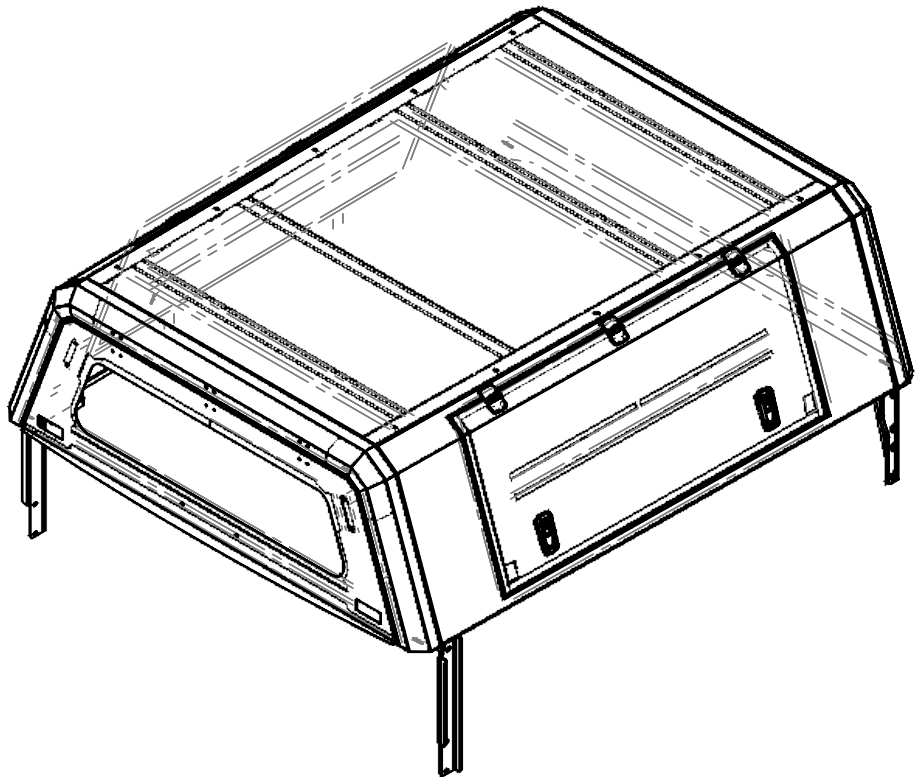
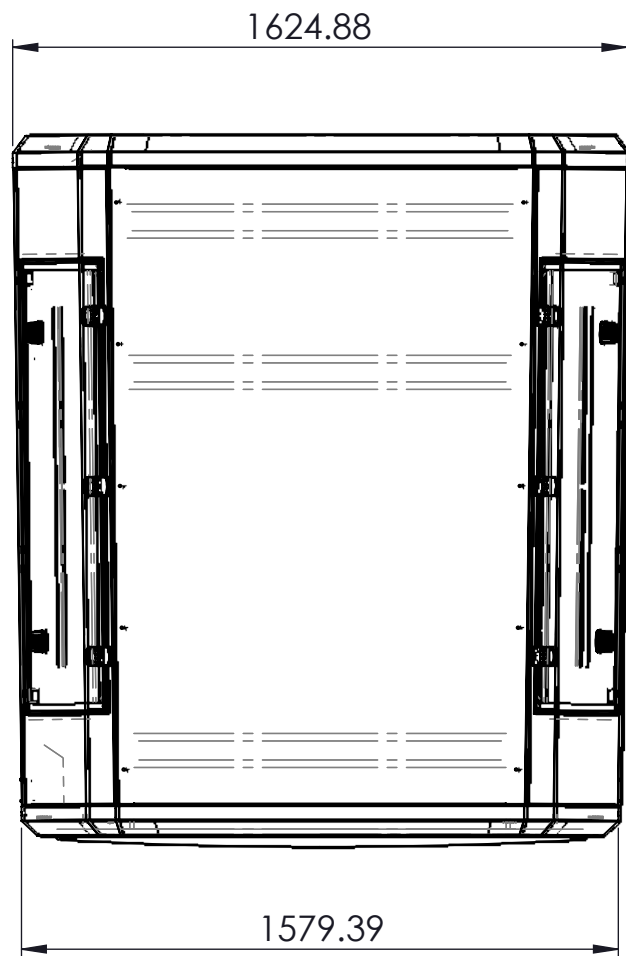



12 | 11 | 10 | 9 | 8 | 7 | 6 | 5 | 4 | 3 | 2 | 1

H  
G  
F  
E  
D  
C  
B  
A



H  
G  
F  
E  
D  
C  
B  
A

12 | 11 | 10 | 9 | 8 | 7 | 6 | 5 | 4 | 3 | 2 | 1

ROCK SOLID INDUSTRIES IS THE OWNER OF THIS/THESE DRAWING/S. IT MAY NOT BE COPIED, LOANED OR DISCLOSED TO OTHERS WITHOUT THE WRITTEN CONSENT OF RSI	Designed by CRAIG JOHNSON	Checked by	Approved by	Approved Date	Creation Date 2018/07/16
	 12 SUZUKA ROAD WESTMEAD 4001 SOUTH AFRICA <a href="http://www.rocksolidindustries.co.za">www.rocksolidindustries.co.za</a>	PART NUMBER A170203002			
		DESCRIPTION FORD XC CKD TUV ASSY	Edition	Sheet SHEET 1 OF 1	