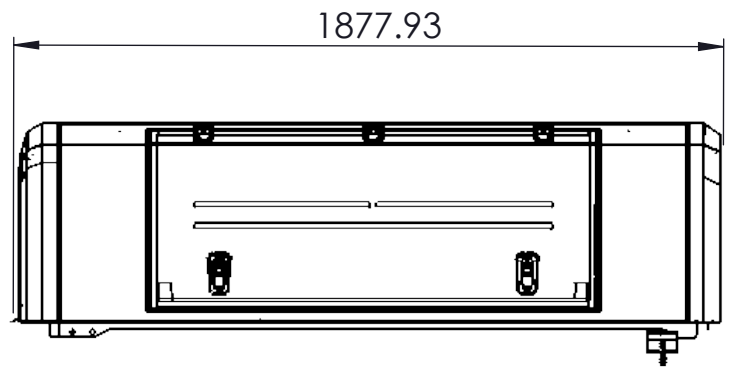
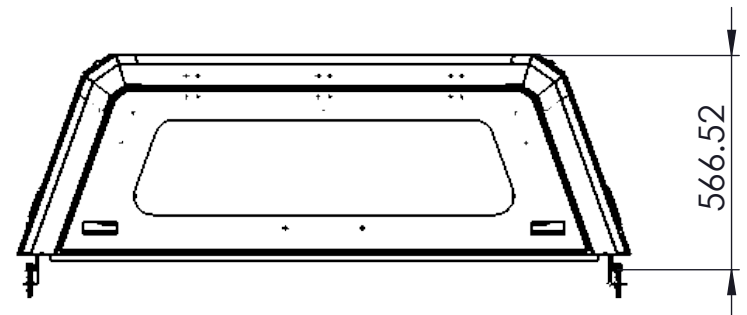
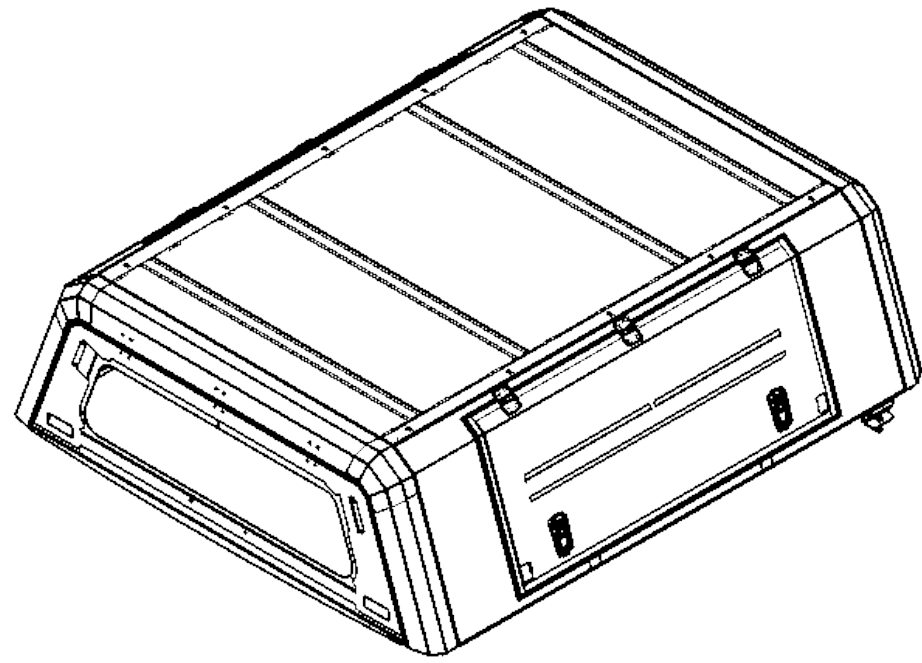
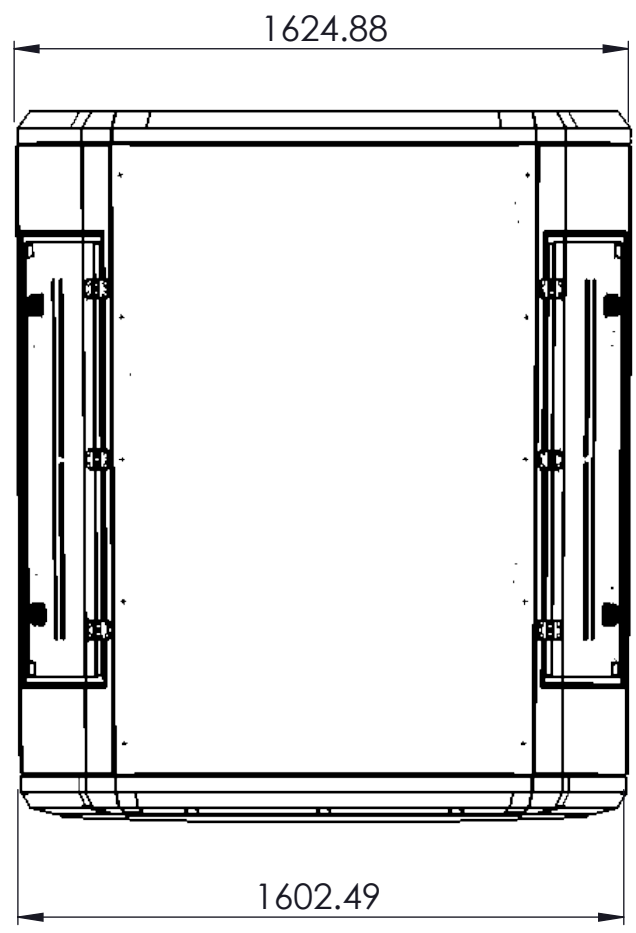



12 11 10 9 8 7 6 5 4 3 2 1

H  
G  
F  
E  
D  
C  
B  
A



H  
G  
F  
E  
D  
C  
B  
A

12 11 10 9 8 7 6 5 4 3 2 1

ROCK SOLID INDUSTRIES IS THE OWNER OF THIS/THESE DRAWING/S. IT MAY NOT BE COPIED, LOANED OR DISCLOSED TO OTHERS WITHOUT THE WRITTEN CONSENT OF RSI	Designed by CRAIG JOHNSON	Checked by	Approved by	Approved Date	Creation Date 2018/07/17
	 12 SUZUKA ROAD WESTMEAD 4001 SOUTH AFRICA <a href="http://www.rocksolidindustries.co.za">www.rocksolidindustries.co.za</a>		PART NUMBER A170403002		
	DESCRIPTION			Edition	Sheet SHEET 1 OF 1