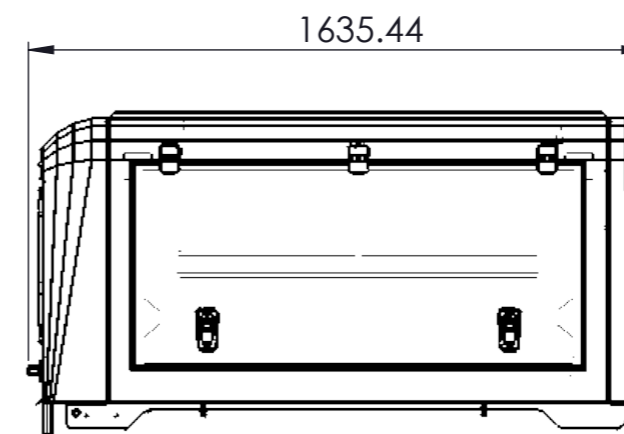
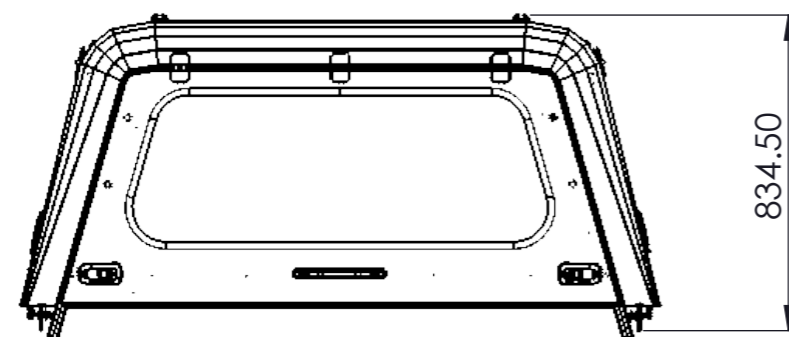
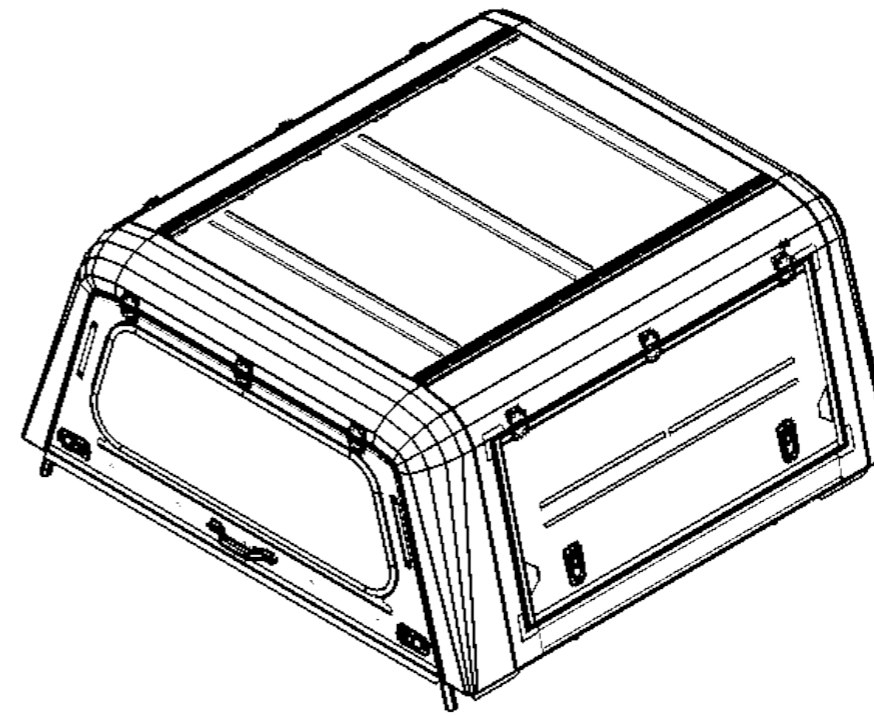
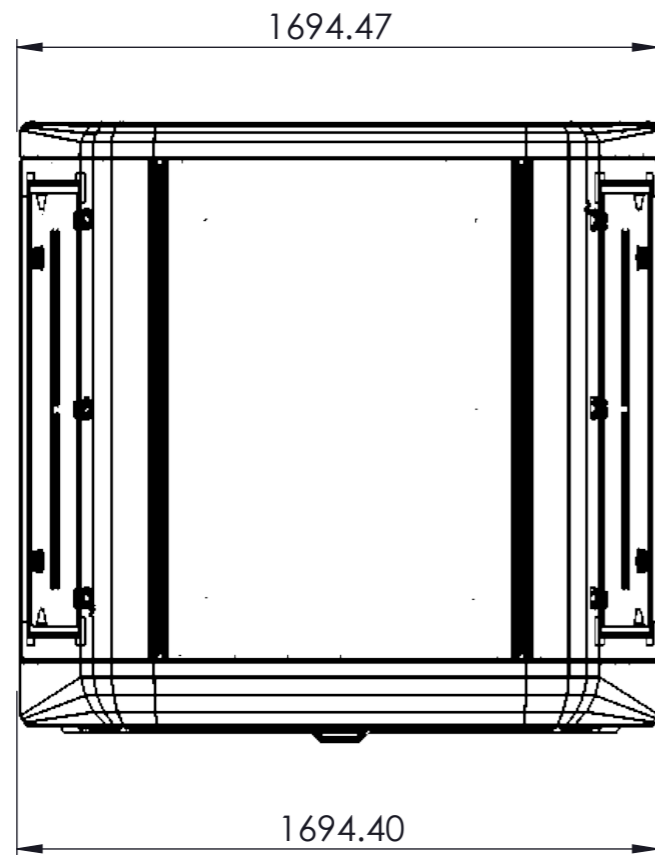



12 11 10 9 8 7 6 5 4 3 2 1

H
G
F
E
D
C
B
A



H
G
F
E
D
C
B
A

12 11 10 9 8 7 6 5 4 3 2 1

ROCK SOLID INDUSTRIES IS THE OWNER OF THIS/THESE DRAWING/S. IT MAY NOT BE COPIED, LOANED OR DISCLOSED TO OTHERS WITHOUT THE WRITTEN CONSENT OF RSI	Designed by CRAIG JOHNSON	Checked by	Approved by	Approved Date	Creation Date 2018/07/17
		12 SUZUKA ROAD WESTMEAD 4001 SOUTH AFRICA www.rocksolidindustries.co.za	PART NUMBER A170703002		
	DESCRIPTION LASER BOM ASSY			Edition	Sheet SHEET 1 OF 1